

SPECIFICATION

(for illustration purposes only)

STAINLESS STEEL MESH INSTALLATION PERIMETER INSTALLATION

‘C’ Section

(Generally South Australia)



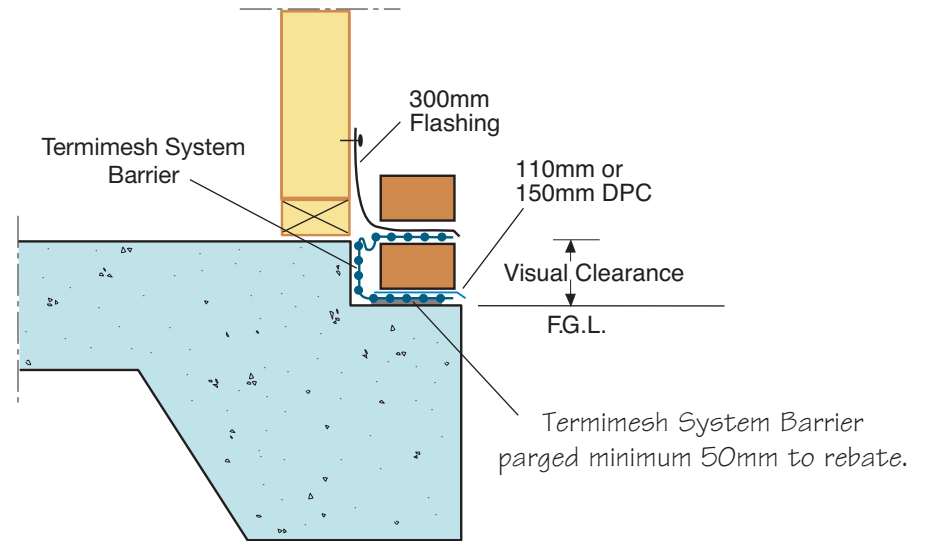
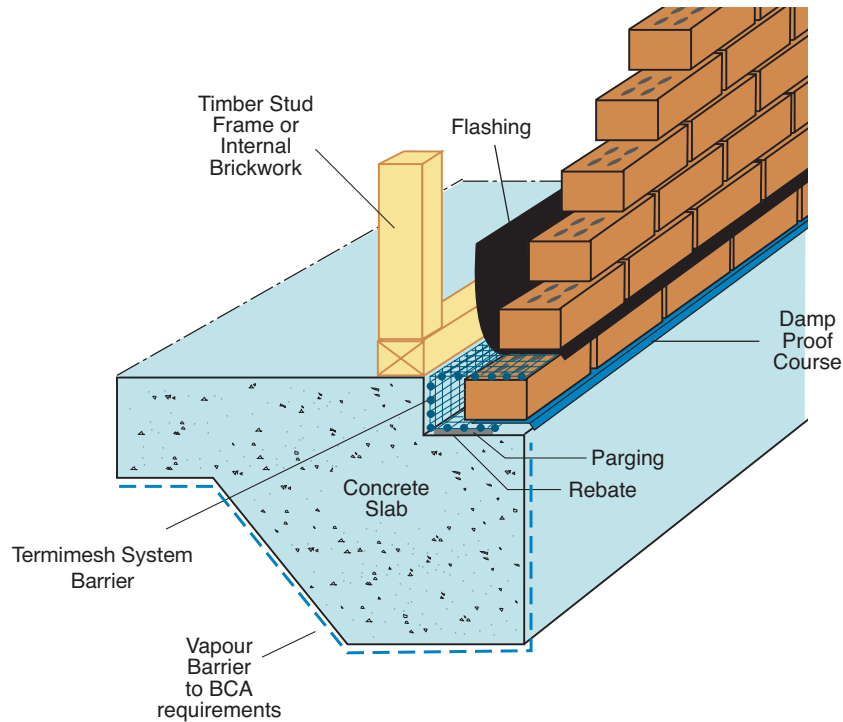
102F



Global-Mark.com.au®
Manufactured under a
Management System certified as
complying with ISO 9001:2008.



CODEMARK™
GM-09-CM30012



The Termimesh System Barrier is parged (bonded) to the base of the rebate and taken up the cavity across to the outside edge of the first course of brickwork.

COPYRIGHT ©

TMA Corporation Pty Ltd
48 Century Road
MALAGA Western Australia 6090
ABN 90 009 452 475

Date: Dec 2004	Drawn: GF	Scale: NTS
Updated: Dec 2011		

The Termimesh System
For further information or additional specifications,
contact 1800 632 111 or www.termimesh.com

SPECNCSection
Diag102CSection.eps
Diag102CSection(i).eps

Code
Spec
1.14