

# SPECIFICATION

(for illustration purposes only)

## STAINLESS STEEL MESH INSTALLATION

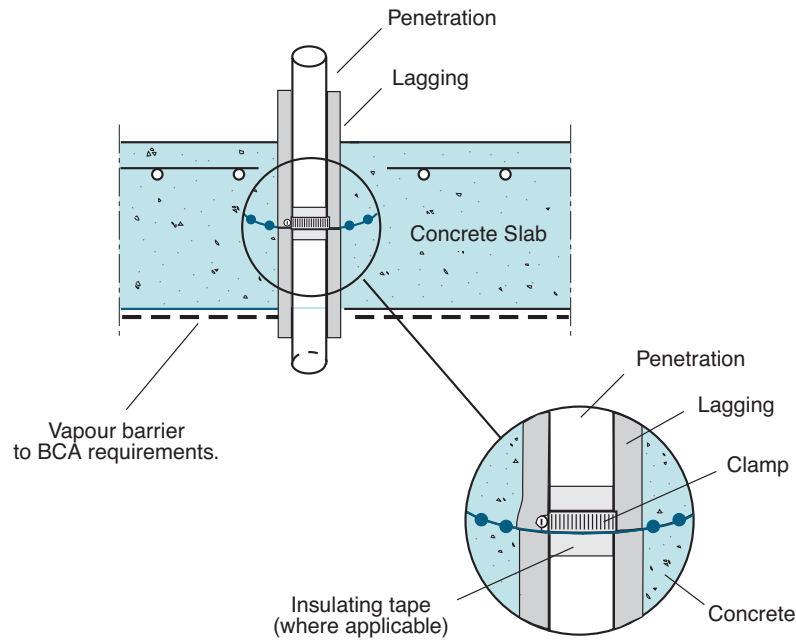
# Termiflange LAGGED PENETRATION PROTECTION Pre-Pour



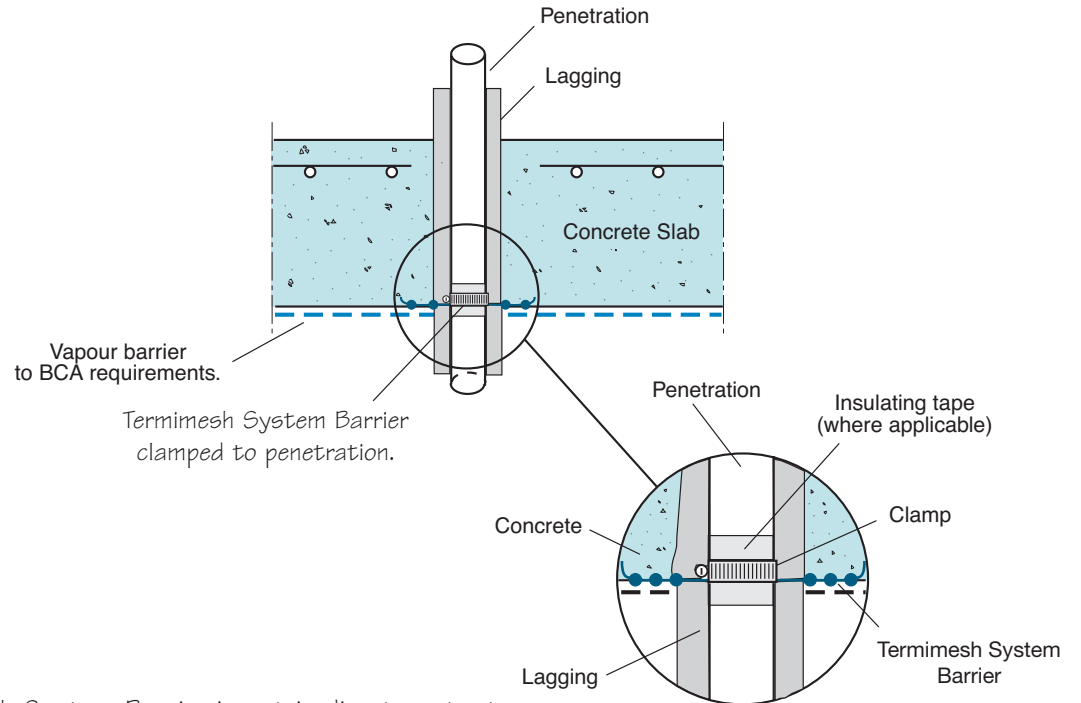
Global-Mark.com.au®  
Manufactured under a  
Management System certified as  
complying with ISO 9001:2008.



**Centre of Slab**



**Base of Slab**



Note: Ensure the Termimesh System Barrier is not in direct contact with metal penetrations by using Termitape as insulating barrier.

**COPYRIGHT ©**

Date: Dec 2004	Drawn: WB	Scale: NTS
Updated: Dec 2011		

**The Termimesh System**  
For further information or additional specifications,  
contact 1800 632 111 or [www.termimesh.com](http://www.termimesh.com)

SPECNLPenPre  
LPen(i).eps  
LPen(ii).eps

Code  
Spec  
2.5

TMA Corporation Pty Ltd  
48 Century Road  
MALAGA Western Australia 6090  
ABN 90 009 452 475